

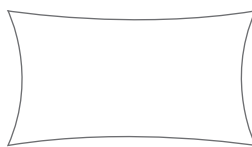
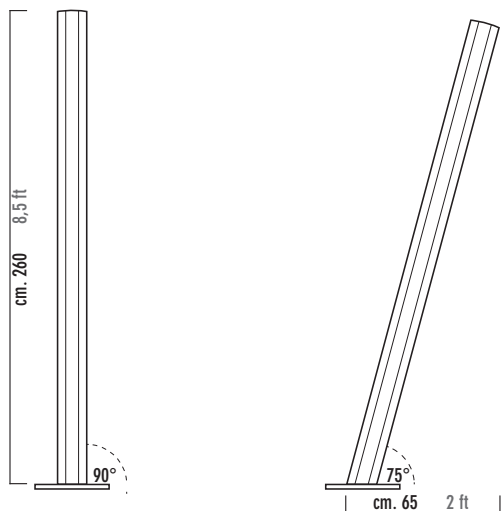
1



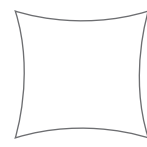
2

1 Tensionatore/Tensioner

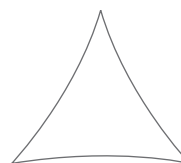
2 Sistema di regolazione/Regulation system



300x400 cm. 10x13 ft
300x500 cm. 10x16,5 ft



300x300 cm. 10x10 ft
400x400 cm. 13x13 ft



400x400x400 cm. 13x13x13 ft
500x500x500 cm. 16,5x16,5x16,5 ft
500x400x600 cm. 16,5x13x20 ft



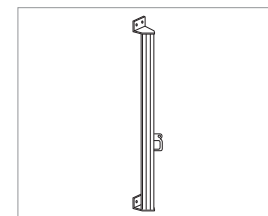
350x350x350x350x350 cm.
11,5x11,5x11,5x11,5x11,5 ft

DETTAGLI/DETAILS

PALO/SHAFT	ALLUMINIO OVALE 110x60 mm./ALUMINIUM OVAL 110x60 mm.
TRATTAMENTO ACCIAIO/STEEL COATING	ZINCATURA + VERNICI TERMOINDURENTI/GALVANIZED + THERMOSETTING POWDER PAINTS
TRATTAMENTO ALLUMINIO/ALUMINIUM COATING	VERNICI TERMOINDURENTI/THERMOSETTING POWDER PAINTS
BULLONERIA/BOLTS, SCREWS	INOX/STAINLESS STEEL



Base da cementare
Inground base
cm. 50x50



Palo da parete
Wall mount
cm. H 165